

# 5G Ka-Band Power Amplifier Module



## Key Features

- High Gain High Power 5G Ka-Band TDD Power Amplifier Module (PAM)
- 18 dB Minimum Gain from 27.5 to 28.35 GHz
- Gain Flatness  $\pm 0.5$  dB from 27.5 to 28.35 GHz
- +24 dBm OP1dB (CW Tone)
- +18 dBm Linear RF Power Output
- < 2% EVM RMS 256-QAM OFDMA Modulation
- Power Added Efficiency > 38% (+24 dBm OP1dB, 28 GHz)
- OIP3 = +37 dBm @ 28 GHz
- Single Power Supply Input (+3 Vdc)
- Operating Current = 215 mA Typical ( $P_{diss} \approx 0.6$  Wdc)
- Advanced High Breakdown Voltage Indium Phosphide (InP) Power Amplifier Technology
- Low Profile Air-Cavity QFN-12 3 x 3 x 1.2 mm Surface Mount Package

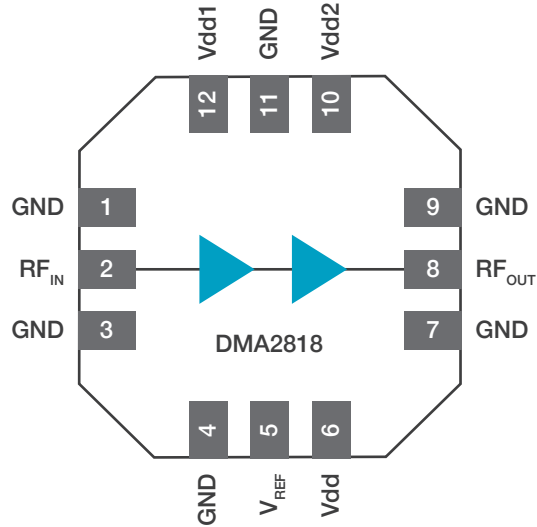
## Applications

- 5G Ka-Band HetNet Antenna Array Transmitter Elements
- 5G Ka-Band Base Transceiver Station (BTS) Antenna Array Driver and Final Stage Transmitter Elements
- 5G Ka-Band MA-MIMO Transceiver Modules

## Product Description

The DMA2818 is a high gain, high RF output power amplifier module (PAM) enabling 5G Ka-Band uplink (UL) and downlink (DL) TDD and full duplex (FD) transmitters, including BTS, HetNet, and user equipment (UE). Employing amplifier die manufactured on an advanced InP process, this high efficiency linear  $50 \Omega$  input/output (I/O) amplifier is ideal for low power dissipation and low distortion applications. Designed for use as an easily cascadable gain block, its gain flatness of better than  $\pm 0.5$  dB within the LMDS A1 band make this part ideal for highly integrated MIMO and MA-MIMO applications. The part is available in a small outline, low profile SMT package.

## Functional Block Diagram



## Package Pin Out

Pin Number	Name	Description
1	GND	Ground
2	RF <sub>IN</sub>	RF Input, 50 Ω, Single-Ended
3	GND	Ground
4	GND	PA Enable Voltage
5	V <sub>REF</sub>	Reference Voltage Output
6	V <sub>DD</sub>	Supply Voltage for Power Amplifier (PA) Input Stage
7	GND	Ground
8	RF <sub>OUT</sub>	RF Output, 50 Ω, Single-Ended
9	GND	Ground
10	VDD2	Supply Voltage for Power Amplifier (PA) Output Stage
11	GND	Ground
12	VDD1	Supply Voltage for Power Amplifier (PA) Output Stage

### Absolute Minimum and Maximum Ratings

Parameter	Min	Max	Units
Supply	0	+5.5	Vdc
RF Power at the Input	-	0	dBm
ESD Rating: Human Body Model <sup>1</sup>	100	-	V
Charged Device Model <sup>2</sup>	250	-	
Moisture Sensitivity Level, MSL, Rating	3	-	-
Storage Temperature	-40	+150	°C
Soldering Temperature	-	+260	°C
Soldering Time	-	5	seconds

Notes: Stresses more than the absolute ratings may cause permanent damage. Functional operation is not implied under these conditions. Exposure to absolute ratings for extended periods of time may adversely affect reliability.

1. JEDEC Class 0A
2. JEDEC Class II
3. 260 °C Peak Reflow

### Operating Ranges

Parameter	Min	Typ	Max	Units	Comments
RF Input/Output Frequency	27.5		28.35	GHz	
Supply Voltage	+2.7	+3	+3.6	V <sub>DC</sub>	
RF Output Power, Linear	-	+18	-	dBm	TDD Uplink (UL)
Case Temperature, T <sub>C</sub>	-40	-	+85	°C	

The device may be operated safely over these conditions; however, parametric performance is guaranteed only over the conditions defined in the Electrical Specification.

## Electrical Specifications

(Ta = +25 °C, Vdd = +3 VDC, f = as stated below, 50 Ω Input/Output)

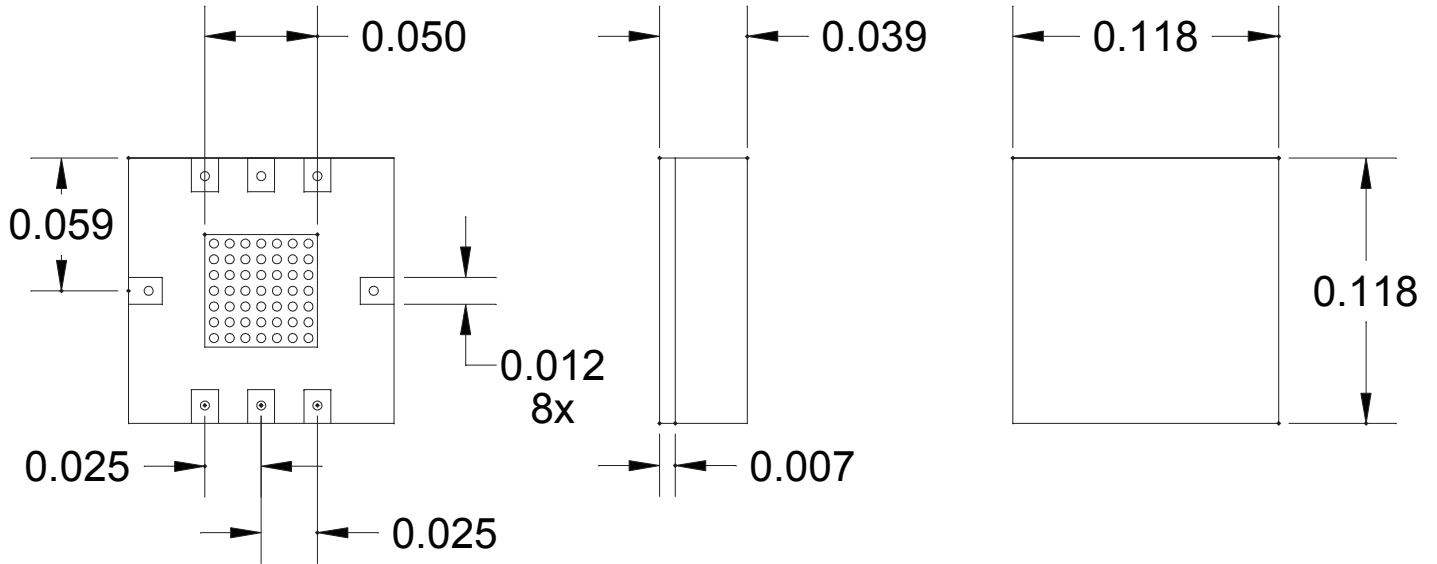
Parameter	Min	Typ	Max	Units	Comments
Gain	17.5	18	18.5	dB	See Note 1; Pout = +18 dBm Linear RF Power Output TDD UL
Gain Flatness	-	-	± 0.5	dB	F = 27.5 to 28.35 GHz
OP1dB	-	+24	-	dBc	CW Tone; F = 28 GHz
Power-Added-Efficiency (PAE)	-	38	-	%	+24 dBm OP1dB, F = 27.5 to 28.35 GHz
OIP3	-	+37	-	dBm	F = 28 GHz
Noise Figure (NF)	-	-	4.9	dB	F = 28.35 GHz
Input Return Loss (IRL)	-14	-15	-	dB	See Note 1
Output Return Loss (ORL)	-15	-20	-	dB	See Note 1
Tx Error Vector Magnitude (EVM)	-	2	-	%RMS	5G NR 256-QAM UL, F = 28 GHz
Ruggedness	8:1			VSWR	No degradation or failure
ENABLE 'OFF' Time, T <sub>OFF</sub>	-	0.10	0.2	μs	For Time Division Duplex (TDD) Operation
ENABLE 'ON' Time, T <sub>ON</sub>	-	0.10	0.2	μs	For Time Division Duplex (TDD) Operation
Supply Current	-	215	-	mA	@ +3 Vdc for +24 dBm OP1dB

Notes: All specifications as measured using Duet evaluation assembly.

1. Measured in application circuit, F = 27.5 to 28.35 GHz.

**Package Dimensions**

---



**NOTE: All dimensions in inches**

### Ordering Information

Order Number	Temperature Range	Package Description	Component Packaging
DMA2818P0	-40 to +85 °C	3 x 3 x 1.2 mm, Air-Cavity QFN-12	Gel Pak, 1 to 100 each
DMA2818V0	-40 to +85 °C	3 x 3 x 1.2 mm, Air-Cavity QFN-12	1500 each, T&R
DMA2818PCBA	-40 to +85 °C	50 Ω I/O Evaluation Board (EVB)	EVB Kit with five (5) piece IC sample ESD bag

**Duet Microelectronics**  
 575 Route 28, Suite 100  
 Raritan, NJ 08869 USA  
 1.908.854.DUET (3838)  
 info@duetmicro.com  
 www.duetmicro.com

#### Important Notice

Duet Microelectronics LLC reserves the right to make changes to its products or to discontinue any product at any time without notice. The product specifications contained in Advanced Data Sheets are subject to change prior to a product's formal introduction. Information in Data Sheets have been carefully checked and are assumed to be reliable; however, Duet Microelectronics assumes no responsibilities for inaccuracies. Duet Microelectronics strongly urges customers to verify that the information they are using is current before placing orders.

#### Warning

Duet Microelectronics products are not intended for use in life support appliances, devices or systems. Use of a Duet Microelectronics product in any such application without written consent is prohibited.